

Technical Information

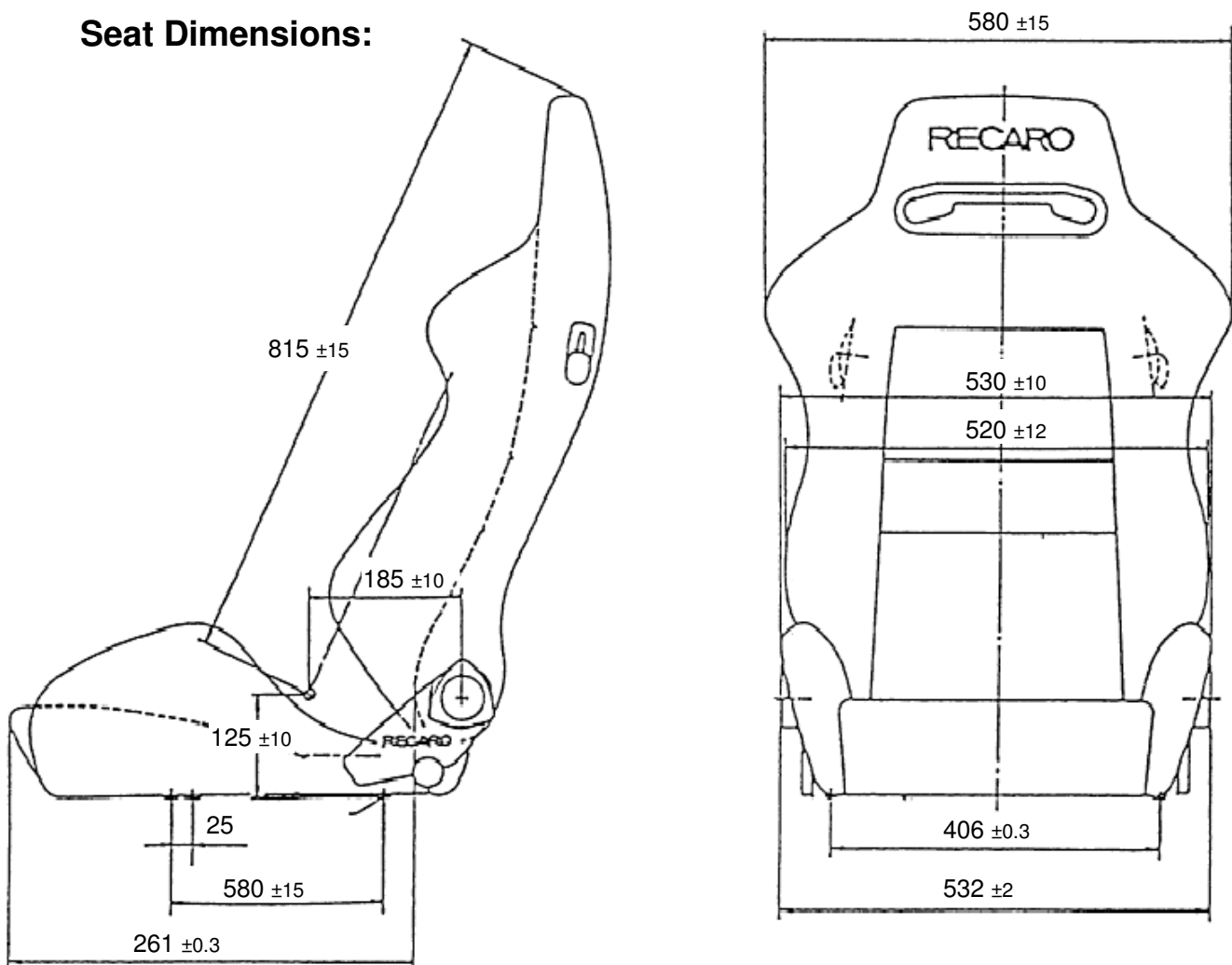
Seat model: Speed / SR-5

ABE-No: 90383 (Modular ABE) included in the from 17. May 2001
90349 (old) last update 30. June 1996

Order-No: **Seat:** 297.07.0XXX

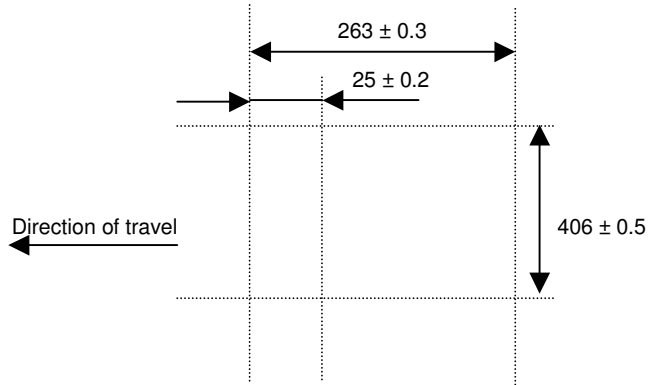
Instruction manual: 363554

Seat Dimensions:



Fixings:

- 6 of M6
- Screws: Self-anchoring allen type M6x30mm



Seat weight:

approx. 14 kg

Functions:

	Optional	Standard	Electrical	Manual	n mm	Remarks
Incline adj.	
Height adj.	
Recline adj.	.	●	.	●	.	
Seat length adj.	.	●	.	●	.	
Side bolsters	
Shoulder support	.	●	.	.	.	integrated
Head restraint	integrated
Lumbar support	Cushion wedge
Armrest	
Heating	
Ventilation	
Memory	
Rear pocket	
Belt guide (3 and 4-point belt system possible)	.	●	.	●	.	
	

Covers:

Side support material	Cetre part material	Back material	Remarks	Code
Velours black	Velours black	Velours black	red stitching + red RECARO	580
Velours black	Velours black	Velours black	blue stitching + blue RECARO	582
Velours black	Velours black	Velours black	yellow stitching + yellow RECARO	581
Velours black	Velours black	Velours black	white stitching + white RECARO	583
Velours black	Velours black	Ampla-Leather black	white RECARO	570
Velours red	Velours red	Ampla-Leather black	black RECARO	571
Ampla-Leather black	Ampla-Leather black	Ampla-Leather black	white RECARO	637
Velours red	Velours red	Velours red	Saturn + black RECARO	573
Ampla-Leather black	Ampla-Leather black	Ampla-Leather black	Saturn + white RECARO	572
Ampla-Leather black	Dinamica Suede red	Ampla-Leather black	red RECARO	S15
Ampla-Leather black	Dinamica Suede blue	Ampla-Leather black	blue RECARO	S15
Ampla-Leather black	Dinamica Suede black	Ampla-Leather black	white RECARO	S15
Ampla-Leather black	Dinamica Suede beige	Ampla-Leather black	white RECARO	S15
Ampla-Leather black	Dinamica Suede silver	Ampla-Leather black	white RECARO	S15

Inflammability:

All of the seats produced by us use only material that reach the american inflammability regulation FMVSS 302.

Mounting system:

Pin wedge with play reduced ratchet

Electricity supply:

not available

Packaging:

Carton No.: 7208534
Dimentions: 1300 x 550 x 370

Remarks:

-