

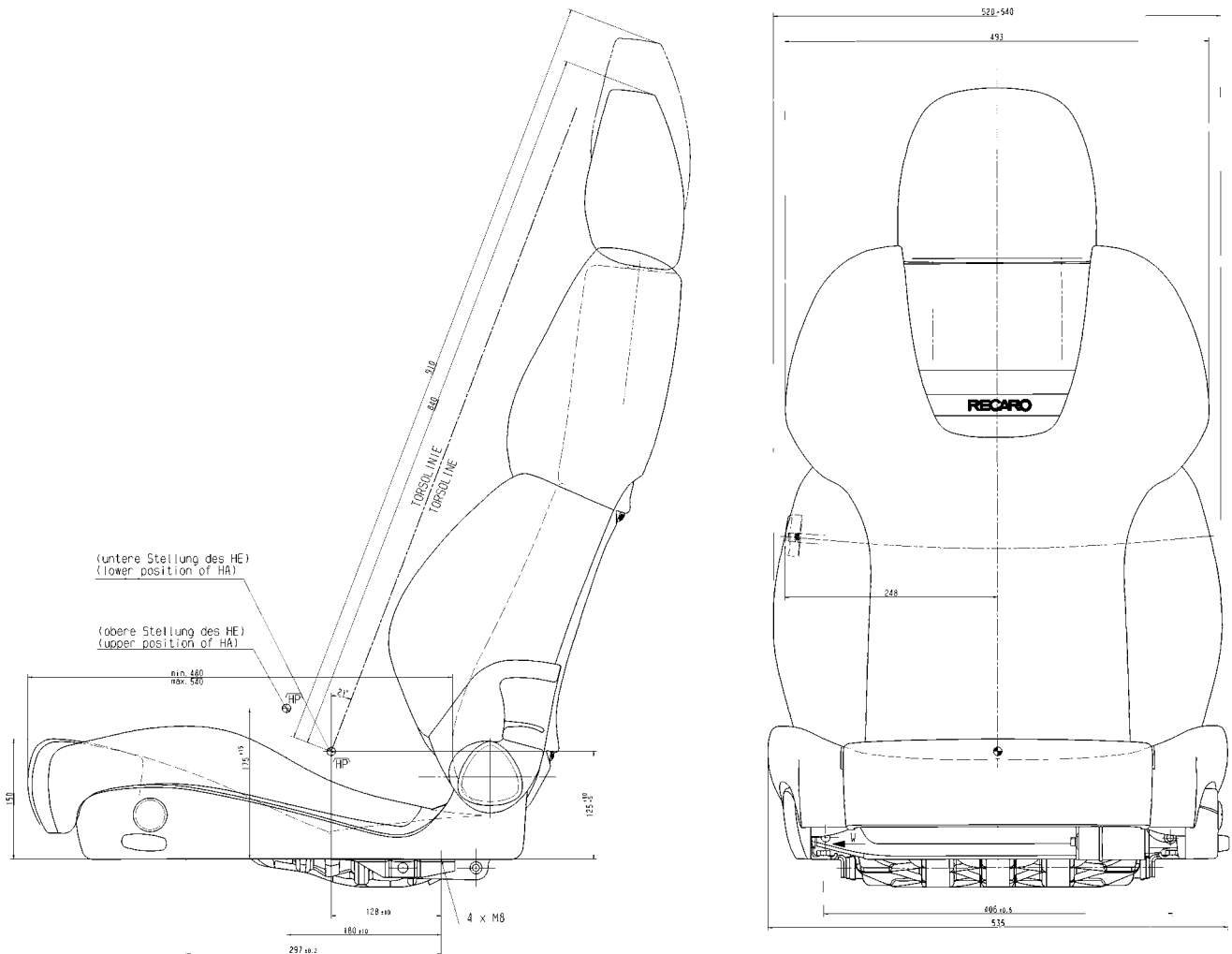
Technical Information

Seat model: Style

ABE-No: 90 513
Typ IS 2000

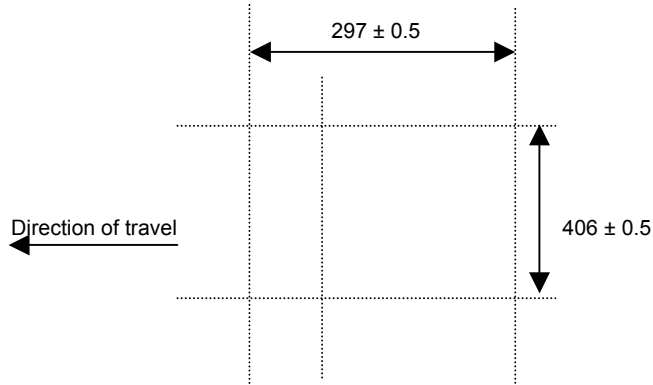
Order-No: Seat: 269.00.1/2xxx Basis
269.41.1/2xxx with comfort package

Seat Dimensions:



Fixings:

- 4 of M8
- Screws: Self-anchoring Allen type M8x16mm



Seat weight:

Order no.:	269.00.1/2xxx	269.41.1/2xxx	Armrest
Seat:	kg	kg	
Head restraint:	kg	kg	
Total:	kg	kg	

Functions:

	Optional	Standard	Electrical	Manual	Adjustment range in mm	Remarks
Incline adj.						
Height adj.		0	0		55	
Recline adj.	x	0	x	0		included in climate package
Seat length adj.		0			60	
Side bolsters						
Shoulder support						
Head restraint		0		0	55	Height and incline adjustable
Lumbar support		0		0		Airmatic
Armrest	0					to observe installation possibilities
Heating	0					included in climate package
Ventilation	0					included in climate package
Memory						
Rear pocket						

Info:

- The climate package consists of heating, vent and electr. backrest
- Armrest from spring 1997 available, observe the installation possibilities

Info:	See price list regarding special material Seats with vent system have a layer of Gore Cis underneath the Artista material
Inflammability:	All of the seats produced by us use only material that reach the american inflammability regulation FMVSS 302.
Heating:	Temperature range: max. 45 °C Variability: 1, thermostat regulated Current: 4,5-5,0 Amps by 13,5 Volt DC Power: 60-67,5 Watts by 13,5 Volt DC
Backrest:	Maximum load on the recliner in kg, measured on the head restraint: max. 26 kg
Heigh adjustment:	max. adjustable up to a person weight of ca. 120 kg
Mounting system:	Taumel 2000
Electricity supply:	12 Volt Plus Minus
Packaging:	Carton no.: 381449 Dimensions: 1260x55x370
Customs tariff no.:	Seat: Material: Artista 5407 1000 Nardo 5512 2990 Leather 4104 3130
Remarks	The height adjustment is with integrated inclination, which means when the HA is activated following measures are changed: Height to the hip point: 55 mm forward movement in hip point: 70 mm The corner of the seat surface varies to 8 Grad.