

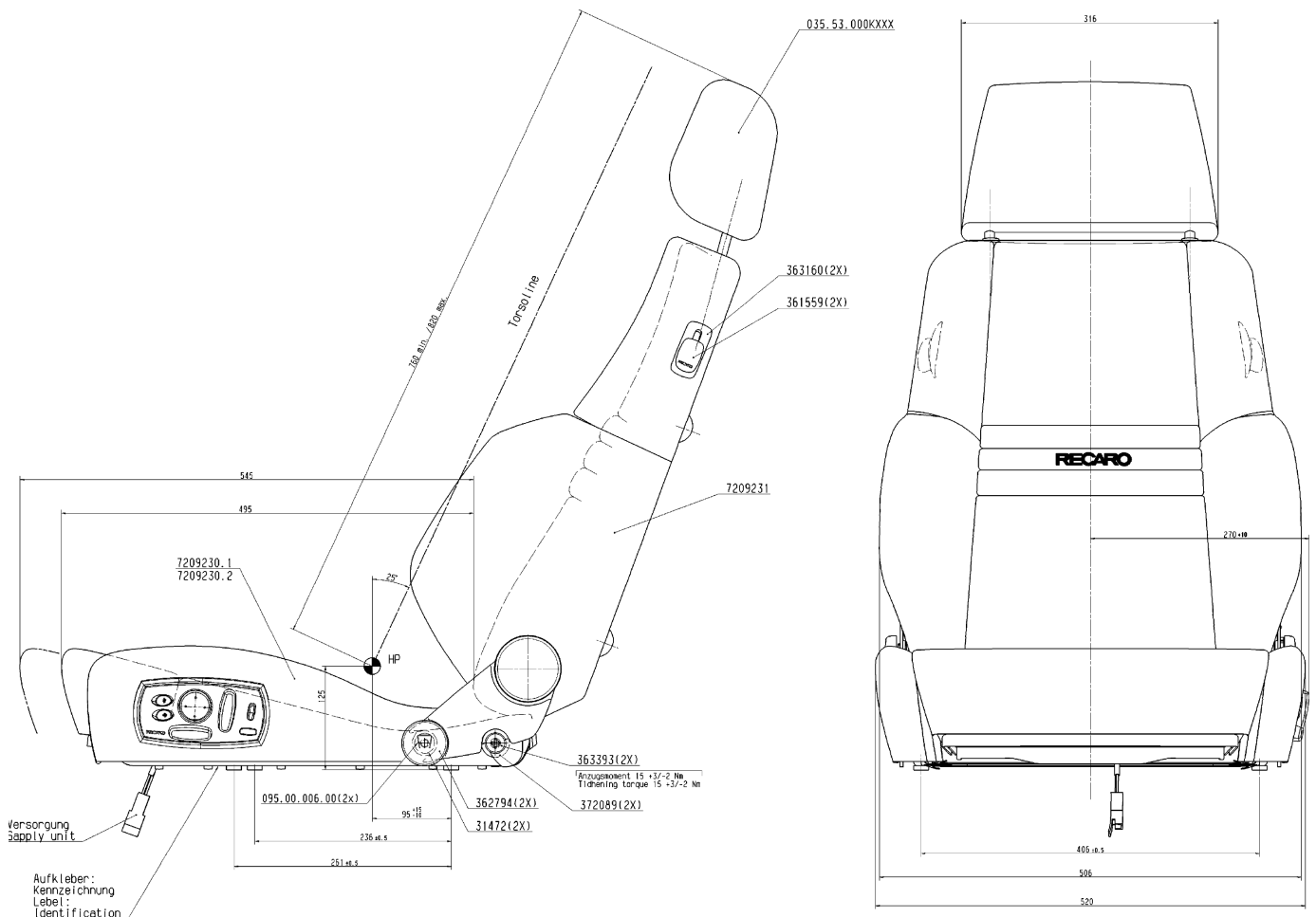
Technical Information

Seat model: Orthopead

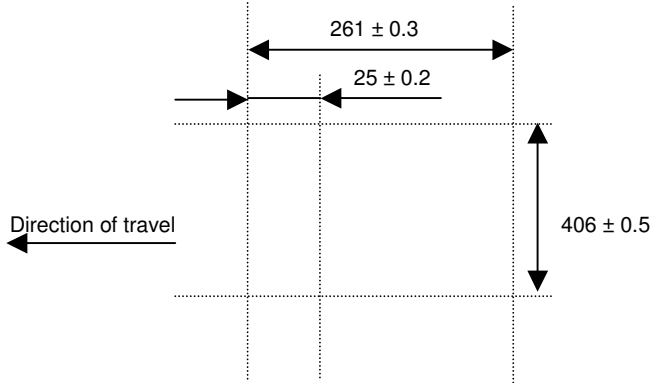
ABE-No: 90 383

Order-No: Seat: 057.30.1xxx

Seat Dimensions:



- Fixings:**
- 6 of M6
 - Screws: Self-anchoring Allen type M6x16mm



Seat weight:

		Padded HR	Frame HR
Order no.:	057.30.1/2351	35.53.000	35.60.000
Seat:	14.8 kg		
Head restraint:		1.2 kg	1.2 kg
Total:	14.8 kg		

Functions:

	Optional	Standard	Electrical	Manual	Adjustment range in mm	Remarks
Incline adj.						
Height adj.						
Recline adj.		0	0			
Seat length adj.		0		0	50	
Side bolsters		0		0	35	
Shoulder support		0				can be cushioned underneath
Head restraint		0		0	60	
Lumbar support		0	0			
Armrest						
Heating		0	0			
Ventilation		0	0			
Memory						
Rear pocket						

Info:

Info:	See price list regarding special material
Inflammability:	All of the seats produced by us use only material that reach the american inflammability regulation FMVSS 302.
Heating:	Temperature range: 34-43 °C Variability: on/off Current: approx. 3.5 Amps Power: 40 Watts
Backrest:	Maximum load on the recliner in kg, measured on the head restraint: approx. 18 kg
Mounting system:	Double conical electric recline with play reducing ratchet.
Electricity supply:	12 Volt
Packaging:	Carton no.: 381461 Dimensions: 1140x550x345 mm
Customs tariff no.:	Seat: 9401 2000 Material: Artista 5407 1000 Nardo 5512 2990

Remarks