

## Technical Information

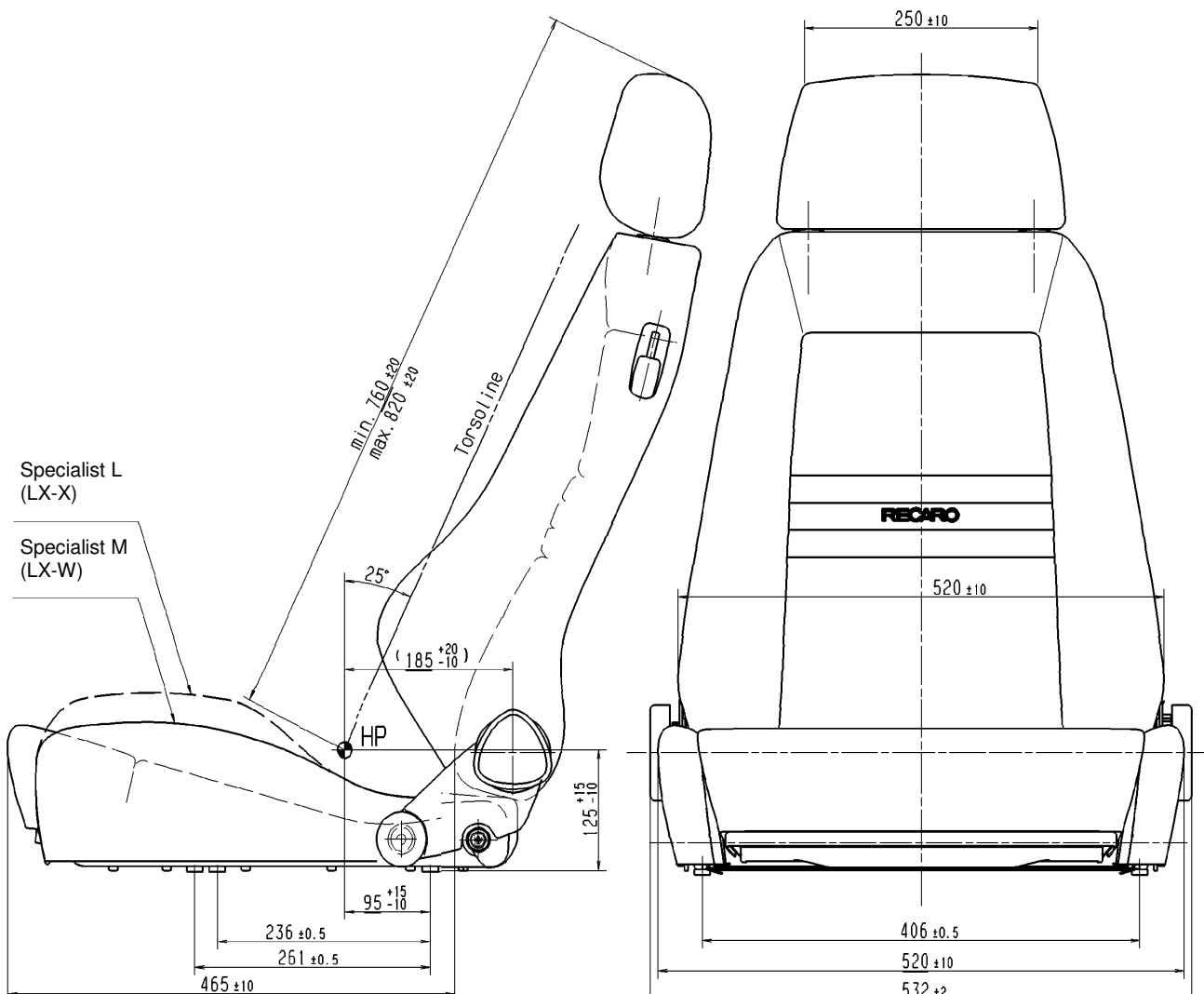
**Seat model:** Specialist M / Specialist L

**ABE-No:** 90383 (Modular ABE)

**Order-No:** Specialist M      **042.00.0XXX**  
Specialist L      **041.00.0XXX**

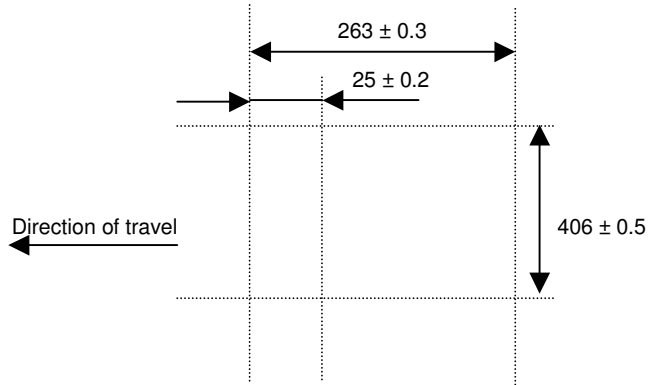
Instruction manual: 363554  
Electroinstallation: 364650

### Seat Dimensions:



## Fixings:

- 6 of M6
- Screws: Self-anchoring allen type M6x30mm



## Seat weight:

approx. 16kg

## Functions:

	Optional	Standard	Electrical	Manual	Adjustment range in mm	Remarks
Incline adj.						
Height adj.						
Recline adj.		X	O	X		Option: 12V or 24V
Seat length adj.		X		X	60	
Side bolsters						
Shoulder support						
Head restraint		X		X	60	
Lumbar support						Cushion wedge
Armrest	O					
Heating						
Ventilation						
Memory						
Rear pocket						

## Covers:

Side support material	Cetre part material	Back material	Remarks	Code
Nardo black	Artista black	Nardo black		351
Ampla-Leather black	Artista black	Ampla-Leather black	Used for RECARO Guard	669
Ampla-Leather black	Ampla-Leather black	Ampla-Leather black		132
Ampla-Leather black	Dinamica Suede red	Ampla-Leather black		585
Ampla-Leather black	Dinamica Suede blue	Ampla-Leather black		586
Ampla-Leather black	Dinamica Suede black	Ampla-Leather black		575
Ampla-Leather black	Dinamica Suede beige	Ampla-Leather black		587
Ampla-Leather black	Dinamica Suede silver	Ampla-Leather black		588

### Inflammability:

All of the seats produced by us use only material that reach the american inflammability regulation FMVSS 302.

### Mounting system:

Pin wedge with play reduced ratchet

### Electricity supply:

optional 12V or 24V

### Packaging:

Carton No.: 7208534  
Dimentions: 1300 x 550 x 370

### Remarks:

-